

DEERSTALKER RIFLE

Weight: 7.5 Lbs./OAL: 41"

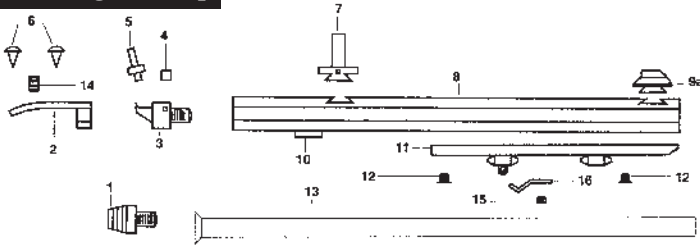


The Lyman Deerstalker is the ideal rifle for the muzzleloader whose primary interest is hunting.

Like all Lyman black powder guns, the Deerstalker has an impressive collection of top-quality rifle features. The rich walnut stock is specially designed with less drop for improved sight picture and includes a handsome rubber pad to lessen recoil. The barrel and all metal parts are blackened to avoid glare. Whether flint or percussion, all Lyman locks employ a rugged, reliable coil mainspring. The barrel has a 1 in 48" twist which will handle a large range of bullet types and weights.

The Deerstalker combines these traditional qualities with the modern features that the serious hunter demands. Each rifle features a specially designed stock with Lyman front and rear hunting sights for an improved sight picture. The shorter barrel and lighter weight make it ideal for carrying on an all day hunt. All hardware is darkened for low glare and all rifles come with sling swivel studs and a handsome rubber pad to reduce recoil. The ultra quiet single trigger is fast and efficient. Finally, all Deerstalker Rifles are factory pre-drilled and tapped for an optional Lyman 57 Receiver Sight for the most serious target shooter or hunter.

Barrel and Sight Group

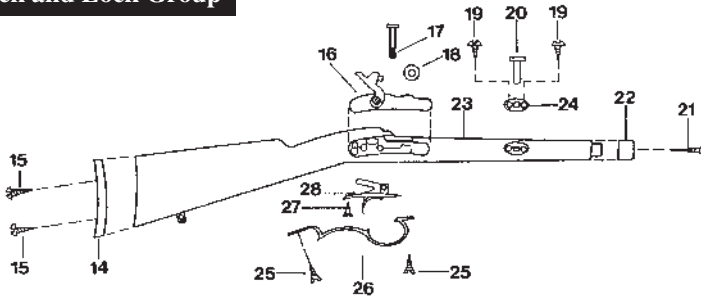


Components

| Dwg. Pc. Mk. | Part Number | Description | Dwg. Pc. Mk. | Part Number | Description |
|--------------|-------------|----------------------------|--------------|-------------|----------------------------------|
| 1a | 6030120 | Cleaning Jag (.50 cal.) | 8e | 6993173 | L. H. Barrel (.50 cal.) |
| 1b | 6030101 | Cleaning Jag (.54 cal.) | 8f | 6993174 | L. H. Barrel (.54 cal.) |
| 2 | 6993100 | Tang | 8g | 6993178 | L. H. Barrel (.50 cal.) Flint |
| *3 | NA | Breech Plug | 8h | 6993179 | L. H. Barrel (.54 cal.) Flint |
| *3a | NA | Breech Plug (Flint) | 9 | 3090118 | Front Sight (37 ML) |
| 3b | 6030176 | Touch Hole Liner (Flint) | 10 | 6030138 | Barrel Lug (factory installed) |
| 4 | 6030123 | Cleanout Plug | 11 | 6993106 | Barrel Rib & Thimbles |
| 5 | 6030124 | Nipple 6 x .75mm | 12 | 6030134 | Rib Screw |
| 6 | 6030125 | Tang Screw | 12a | 6030135 | Thimble Screws |
| 7 | 3090117 | Folding Leaf Sight (16AML) | 13 | 6010034 | Delrin Ramrod 25" (10-32 thread) |
| 8a | 6993103 | Barrel (.50 cal.) | 14 | 6993123 | Plug Screw |
| 8b | 6993104 | Barrel (.54 cal.) | 15 | 6030263 | Screw |
| 8c | 6993095 | Barrel (.50 cal.) Flint | 16 | 6993102 | Ramrod Clip Spring |
| 8d | 6993096 | Barrel (.54 cal.) Flint | | | |

*Note: Breech plugs and barrels not sold separately, only as factory-assembled units.

Stock and Lock Group



Components

| Dwg. Pc. Mk. | Part Number | Description | Dwg. Pc. Mk. | Part Number | Description |
|--------------|-------------|----------------------------|--------------|-------------|---------------------------|
| 14 | 6993107 | Butt Plate | 21 | 6993113 | Forend Cap Screw |
| 15 | 6993108 | Butt Plate Screws | 22 | 6993114 | Forend Cap |
| 16 | 6030119 | Lock Assembly | 23 | 6993115 | Stock |
| 16a | 6030180 | Lock Assembly (Flint) | 23a | 6993172 | L.H. Stock |
| 16b | 6993170 | L.H. Lock Assembly | 24 | 6993116 | Escutcheon |
| 16c | 6993171 | L.H. Lock Assembly (Flint) | 25 | 6030147 | Trigger Guard Screw |
| 17 | 6993109 | Lock Mounting Screw | 26 | 6993117 | Trigger Guard |
| 18 | 6993110 | Lock Screw Bushing | 27 | 6030149 | Trigger Assy. Mount Screw |
| 19 | 6030141 | Escutcheon Screw | 28 | 6030226 | Trigger Assembly |
| 20 | 6993112 | Wedge* | | | |

***Note:** The wedge is installed from the right to the left. This is true for right or left-hand rifles. Sights are also installed from the right to the left. Sights are removed from the left to the right.