

**WARNINGS AND
INSTRUCTION MANUAL**

Lyman's

Model of 1878

by Davide Pedersoli

45-70

**IMPORTANT!
READ THESE WARNINGS AND INSTRUCTIONS
BEFORE USING FIREARM!!**



FOR YOUR SAFETY AND THE SAFETY OF OTHERS, this owner's manual contains important warnings, instructions and safety procedures which must be understood BEFORE using this firearm. Read the **ENTIRE MANUAL** and if you do not understand any part of it or the operation of your rifle, stop and seek professional firearms instruction. You can get a copy of this manual from: **Lyman 475 Smith St. Middletown CT 06457** www.lymanproducts.com upon request.

Record the serial number of your firearm (located on the receiver):

and a description of it:

Make a copy of this manual, proof of purchase/sales record for safekeeping in a secure safe or fireproof container. Such proof is necessary if the firearm is damaged, stolen or sent in for warranty repair.

DAVIDE PEDERSOLI RIFLES

WARNINGS AND INSTRUCTION MANUAL PLEASE READ THESE INSTRUCTIONS

Index:

| | |
|-------------|---|
| Pag.4..... | WARNINGS |
| Pag.10..... | BASIC PARTS OF YOUR RIFLE |
| Pag.11..... | ENGAGING THE SAFETY |
| Pag.17..... | LOADING AND UNLOADING YOUR RIFLE |
| Pag.20..... | FIRING YOUR RIFLE |
| Pag.21..... | DISASSEMBLY RE-ASSEMBLY OF YOUR RIFLE |
| Pag.25..... | EXPLODED VIEW |
| Pag.27..... | MANUFACTURER'S WARNING |
| Pag.29..... | WARRANTY |
| Pag.30..... | WARRANTY COUPON |

WARNING

YOU RISK PERSONAL INJURY OR DEATH BY HANDLING THIS FIREARM

Before handling any firearm, make sure you know the safety procedures and most importantly, keep the firearm pointed in a safe direction.

Before handling this firearm, read, understand and follow the instructions in this manual. Always keep this manual with the firearm. If you lend, give or sell this firearm, be sure the manual goes with it. If there is anything you do not understand, seek advice from someone qualified in safe handling of firearms. You must ALWAYS obey the following warnings, instructions and safety procedures:

1. Always keep the muzzle pointed in a safe direction.
2. Firearms should be unloaded and secured when not actually in use.
3. Never rely on your firearm's safety.
4. Be sure of your target and what's beyond it.
5. Use only proper ammunition matching the precise caliber of your specific rifle.
6. If your rifle fails to fire when the trigger is pulled, handle with care and keep the muzzle pointed in a safe direction.
7. Always wear ear and eye protection when shooting.
8. Be sure the barrel is clear of obstructions before shooting.
9. Don't alter or modify your firearm and have it serviced regularly.
10. Learn the mechanical and handling characteristics of your rifle.
11. Shoot sober!

**FOLLOWING THESE SAFETY RULES IS CRITICAL TO THE SAFE ENJOYMENT
OF YOUR RIFLE**

Type Of Ammunition To Be Used

It is suggested that high quality commercially manufactured ammunition be used in this firearm. Avoid military surplus or old ammunition as it may not fire with sufficient force to expel the projectile from the barrel. **The use of factory or reloaded, high pressure ammunition can be dangerous and will void the warranty.**

LEAD WARNING: The actual firearm does not contain any lead; however, it does fire ammunition which contains lead or lead compounds known to cause cancer, birth defects, reproductive toxicity, and other serious physical injury. Those who discharge a firearm, stand near someone who discharges a firearm or clean firearms are hereby warned of the dangers presented by lead and lead compounds and should take protective health measures. Avoid exposure to lead while handling and wash your hands after contact. Proper air ventilation is absolutely necessary when shooting indoors.

NOTICE

RIFLES ARE CLASSIFIED AS FIREARMS OR DANGEROUS WEAPONS and are imported into the USA by **Lyman** with the specific understanding that we are not responsible in any manner whatsoever for their safe handling or resale under local laws and regulations.

Lyman shall not be responsible in any manner whatsoever for malfunctioning of the firearm, for physical injury or for property damage resulting in whole or in part from **(1)** intentional or negligent discharge, **(2)** improper or careless handling, **(3)** unauthorized modifications and/or alteration of the internal/safety mechanisms, **(4)** defective, improper, high pressure, hand-loaded, or reloaded ammunition, **(5)** corrosion and/or lack of proper maintenance **(6)** neglect, or **(7)** other influences beyond our direct and immediate control. This limitation applies regardless of whether liability is asserted on the basis of contract, negligence or strict liability (including any failure to warn). Under no circumstance shall **Lyman** be liable for incidental or consequential damages, such as loss of use of property, commercial loss and loss of earnings or profits.

Get competent firearms instruction in safe handling before using this firearm. Please ask your dealer for names of qualified instructors near you. All guns are extremely dangerous if carelessly handled or used. Remember that the firearm user is the primary "safety" and that reliance on any mechanical safety device should never replace safe handling procedures.

This firearm **WILL FIRE** if a cartridge is in the chamber and the trigger is pulled while the hammer is cocked.

DO NOT LOAD THIS RIFLE UNTIL YOU UNDERSTAND HOW IT OPERATES. **KEEP** this rifle unloaded at all times except when you are ready to fire and are sure of your target.

FOLLOWING THESE SAFETY RULES IS CRITICAL TO THE SAFE ENJOYMENT OF YOUR RIFLE

ALWAYS transport this rifle in a case or original box **unloaded**.

NEVER point any firearm at anything that is not your intended target even if the rifle is unloaded. When loading, unloading, cleaning or handling, always be sure the muzzle is pointed in a safe direction and always keep your finger off the trigger.

NEVER assume any gun is unloaded. Before handling, check to make sure the chamber is empty. See Unloading Instructions. Make sure you know that this or any firearm is fully unloaded before displaying or handling it. When handling any firearm, keep your fingers away from the trigger at all times until you intend to fire.

Get instructions from a competent firearms instructor before using this or any firearm. Learn from a professional how to handle, load, unload, operate, fire and care for your gun.

NEVER PLAY with your firearm. It is not a toy and can be a very dangerous weapon that can cause serious personal injury or death.

Always keep the gun pointed in a safe direction. Treat every gun as if it is loaded...all the time. **NEVER** point any firearm (loaded or unloaded) at any person or anything you do not intend to shoot. Always keep your gun unloaded until ready to use and make sure that it is unloaded before cleaning.

Keep your finger **OFF** the trigger until you are actually aiming at the target and ready to shoot. Learn to rest your finger outside of the trigger guard.

Never rely on a gun's "safety" to protect you from unsafe gun handling. A safety is only a mechanical device, not a substitute for using common sense and following accepted firearms safety procedures.

Never leave a gun unattended or where it could fall.

Store guns and ammunition separately and beyond the reach of children. Make sure that firearms are properly secured so untrained individuals and children cannot access your firearms and ammunition.

Test your firearm's operation and safeties only at a shooting range while the firearm is pointed in a safe direction.

Know your target and what is beyond. Be sure of what your projectile will hit if it misses the target or passes through the intended target. Remember, a fired projectile can travel over a mile (including a ricochet) and is capable of going through walls. Never shoot at hard flat surfaces or water . . . bullets ricochet.

Guns and alcohol or drugs do not mix. Don't take any alcoholic beverages and/or drugs before or during shooting activities.

FOLLOWING THESE SAFETY RULES IS CRITICAL TO THE SAFE ENJOYMENT OF YOUR RIFLE

Never pull a gun toward you by the muzzle. Don't climb a tree, cross a ditch or fence with a loaded gun.

Always empty guns before entering a house, car, truck, boat, RV, camp or any building.

NEVER accept anyone's word that a gun is "unloaded" or "empty." When receiving a gun, you should immediately open the action and check to make sure it is unloaded.

Be careful with **ALL** ammunition. Even "blank" cartridges are deadly at close range due to the muzzle blast. Make sure your ammunition is in good clean condition. Do **NOT** oil or grease ammunition as this may damage the cartridge primer. Do **NOT** tamper with or alter the standard factory ammunition.

Keep firearms unloaded when not actually in use. Load the gun only when on the range preparing to fire and unload it before leaving the range.

Never put your hand over the muzzle of a gun.

ALWAYS WEAR protective shooting glasses and hearing protection when using firearms.

Spectators should be well behind and away from the shooter while the shooter is loading, shooting and unloading. Spectators should wear eye and ear protection and avoid distracting those shooting their firearms.

Never drop your gun. If you do drop it, unload it and check it for proper function before using it again.

Do NOT alter or modify your gun. Don't try to modify parts to change your gun's trigger pull, because it may affect sear engagement and thereby cause accidental firing.

Do NOT remove any internal safety or safety device on the firearm. Safety mechanisms are designed to help protect you from personal injury or death.

Properly maintain and keep your gun clean. Keep it in a dry place away from other metals and water. If your gun shows sign of corrosion or improper operation, have it serviced by a qualified gunsmith. Keep the muzzle pointed in a safe direction when loading and unloading your gun. Never point the muzzle at anyone.

If a gun fails to fire when the trigger is pulled, keep it pointed down range at the target for 60 seconds. Sometimes slow primer ignition will cause a "hang fire" and the cartridge will go off after a short pause. If it still fails to fire, keep the muzzle pointed in a safe direction and avoid exposure to the breech, as you attempt to unload your firearm.

Never let water, snow, mud or other material enter the barrel. Always be sure the barrel is free of any obstruction.

Use the correct ammunition for your firearm. (See Ammunition Warning).

Teach children: **1. NOT** to touch guns, bullets, cartridges, shells, flares or any explosive device and **2.** That if they discover such a dangerous item or weapon, they must immediately report its location to their parents, school teacher or police.

Remember a firearm has the capability of taking your life or the life of someone else. Be careful with your firearm - an accident is almost always the result of not following basic safety rules.

If you are carrying a loaded gun in the field, never follow a companion.

Never cross obstacles such as fences or streams with a loaded gun.

Never run with a loaded gun.

Do not smoke while handling, loading or shooting any ammunition, especially black powder. Keep black powder in a closed container at all times, closing again the container after each and every use.

USED FIREARMS - Firearms are sometimes altered to work incorrectly, or parts may be removed, lost or replaced with incorrect parts. If you got your firearm as a used gun, **BEFORE USING IT** you should take it to a good gunsmith who knows DAVIDE PEDERSOLI firearms, and have him examine it.



W A R N I N G (POTENTIAL OBSTRUCTIONS)

BEFORE LOADING or firing a rifle, examine the bore and the firing chamber to be certain they are clean and free of any obstruction. Even a heavy coat of oil, grease, snow or water may result in damage to the firearm and injury to the shooter and/or persons near the firearm. A misfire or unusual sound upon firing is a signal to cease firing and to examine the chamber and bore. If there is any obstruction, clear the obstruction and clean the bore and chamber before firing.

Any bore obstruction, even if it is only partly blocked, may cause the gun to blow up if it is fired, or may cause damage to the gun such as a bulged barrel. To avoid injury or death to the shooter or bystanders, check the barrels before shooting or if a shot does not sound normal.

WARNING

Always keep the muzzle pointed in a safe direction! Never attempt to load or unload any firearm inside a vehicle, building or other confined space (except a properly constructed shooting range). Enclosed areas frequently offer no completely safe direction in which to point the firearm. If an accidental discharge occurs, there is great risk of death, personal injury or property damage. Before loading, always clean all, grease and oil from the bores and chambers, and check to be certain that no obstructions are in the barrel. Any foreign matter in the barrels could result in a bulged or burst barrel or other damage to the firearm and could cause serious injury to the shooter or to others.

WARNING

If there is any reason to suspect that a projectile is obstructing the barrel, immediately unload the firearm (See Unloading Instructions) and check the chamber and the bore. A projectile or some other matter may be lodged some distance down the barrel where it can not easily be seen. Check the bore by using a cleaning rod to pass through the barrel. If a blockage is in the bore, **DO NOT ATTEMPT TO SHOOT IT OUT WITH ANOTHER CARTRIDGE, OR BLOW IT OUT WITH A BLANK CARTRIDGE OR A CARTRIDGE FROM WHICH THE BULLET HAS BEEN REMOVED. SUCH TECHNIQUE(S) CAN GENERATE EXCESSIVE PRESSURE, DAMAGE THE FIREARM AND CAUSE SERIOUS PERSONAL INJURY.** If the blockage can be removed with a cleaning rod, clean any unburned powder grains from the bore, chambers and mechanism before resuming shooting. If the blockage can not be dislodged by tapping it with a cleaning rod, take the firearm to a gunsmith.

WARNING (EYE AND EAR PROTECTION)

When shooting, full eye and ear protection is mandatory at all times. Shooters and spectators must wear shooting glasses and hearing protection to prevent eye injury and hearing loss. Vision and hearing impairment can occur with only one moment of non-protection.

WARNING (Mechanical Malfunctions)

STOP SHOOTING IMMEDIATELY AND UNLOAD YOUR FIREARM if your firearm develops: a mechanical malfunction; binding or stoppage; spitting powder/gas; a punctured cartridge primer; a bulged or ruptured cartridge case; or a sound on firing does not sound quite right. Do **NOT** try one more shot but unload your firearm and take it and the ammunition to a qualified gunsmith for examination. Do not assume that the rifle is empty merely because you checked the chamber. You must also check the bore for any obstruction inside the barrel.

BASIC PARTS OF YOUR RIFLE



IMPORTANT NOTES ABOUT HISTORICAL FIREARM DESIGN

Lyman's Classic Series Rifles are replicas of famous historical firearms. All our firearms are manufactured using leading edge technology and high quality modern materials. The firearms are faithful reproductions of firearms originally designed in the nineteenth century; if you choose to own or use a reproduction of a historical firearm you should be aware that these guns are not manufactured as state of the art firearms, but as reproductions for collectors. It is vital that the user be familiar with his firearm and possible safety risks that may be present in the design. Most significantly, the user should realize that the designs of safeties - or even the presence of adequate safeties - vary significantly on historical designs and do not offer the protection against accidental discharge that modern firearms safeties offer. Similarly, any firearm that is designed to be fired using black powder or a black powder substitute has risks not found in modern cartridge firearms. Black powder is a dangerous explosive and has to be used and handled with extreme caution. The slightest miscalculation or carelessness with a black powder firearm can result in serious injuries to the user

BEFORE YOU USE YOUR GUN FOR THE FIRST TIME



WARNING: ALWAYS MAKE SURE THE FIREARM IS UNLOADED AND POINTED IN A SAFE DIRECTION.

- ◆ When ready to use your firearm for the first time, clean and remove all excess factory lubricant using a good quality gun solvent.
- ◆ For Sharps Rifles, field stripping the firearm will facilitate this process (see “FIELD STRIPPING” in this booklet).
- ◆ Lightly lubricate all moving contact points with a good quality gun lubricant
- ◆ Thoroughly clean the bore, and remove all excess solvent with clean, dry patches replacing them as often as necessary until they come out clean and dry.
- ◆ A slight film of gun oil should be left in the barrel during long periods of storage, however, the cleaning procedure **MUST** be repeated before shooting the firearm.
- ◆ **THE BARREL MUST ALWAYS BE CLEAN AND DRY BEFORE SHOOTING.**

AMMUNITION WARNING

- 1- Use only factory loaded ammunition or reloads from a Lyman handbook (for Trapdoor Springfield) for the caliber specified on the firearms barrel. Use of different caliber ammunition may cause serious personal injury to you and people around you.
- 2- Your gun has been designed for ammunition of a specific gauge or caliber. Do not alter the barrel, chamber, caliber for which your gun was designed.
- 3- Be sure you never mix ammunition.
- 4- Use only ammunition specifically recommended for your firearm.

5- Do not re-utilize unexploded ammunition.

Our rifles are stronger than their original versions due in part to improved steels as well as changes made to strengthen the original design and to add safety features. However you must always follow the safety rules, including the use of correct charges and their maximum developed pressure.

All Davide Pedersoli rifles are manufactured in Italy and, according to Italian Law, are proof tested at the National Firing Proof House according to the rules imposed by C.I.P. (International Proof Commission). Proper marks of the tests are stamped both on the barrel and the receiver of the rifle.

Commercial cartridges Pmax pressure is measured in BAR in Europe and PSI in the USA, and it is the maximum pressure NEVER TO BE EXCEEDED during the use of the gun.

You can obtain the equivalent maximum pressure value of the commercial cartridge measured in P.S.I. by multiplying the BAR value x 14,5037.

The list below complies with the C.I.P. charts, and shows the maximum pressure allowed for commercial cartridges to be used with our guns, in the various calibers. The below mentioned data is presented in BAR and PSI values.

 **IN NO CASE SHOULD THE CARTRIDGES EXCEED SUCH VALUES OR THOSE SET FOR THE SPECIFIC MODEL RECOMMENDATIONS.**

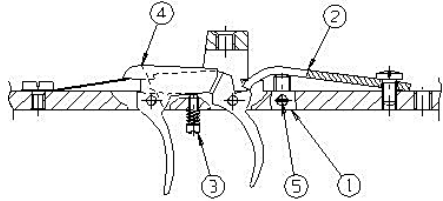
| CALIBERS | PRESSURE BAR | PRESSURE C.U.P. / P.S.I |
|---------------------|-----------------|----------------------------|
| .30-30 Winchester | 2800 | 40610 |
| .30-40 Krag | 2850 | 41335 |
| .38-55 Winchester | 2150 | 31183 |
| .357 Magnum | 3200 | 46412 |
| .45 Long Colt | 1100 | 15954 |
| .45-70 Gvt | 2000 | 29007 |
| 8x57 JRS | 2900 | 42061 |
| 9,3x74 R | 3000 | 43511 |
| 40-65 Black powder | 1800 | 26100 |
| 45-90 Black powder | 1800 | 26100 |
| 45-110 Black powder | 1800 | 26100 |
| 45-120 Black powder | 1800 | 26100 |
| 50- 70 Black power | 1800 | 26100 |

SET TRIGGERS

Your rifle is equipped with an adjustable double set trigger

DOUBLE SET TRIGGER

THE TRIGGER PULL MUST NEVER BE SET TO LESS THAN 3 LBS



PICTURE 1: DOUBLE SET TRIGGER

How to “set” double set triggers: The FRONT trigger is the firing trigger, it can fire both as a normal trigger or as a “double set trigger”; the REAR trigger is the “set” trigger. You ‘set’ the trigger by pulling the rear trigger until it clicks. At this point you can release the fully cocked hammer by applying a light pressure to the ‘firing’ (front) trigger.

⚠ WARNING: AN IMPROPERLY ADJUSTED SET TRIGGER MAY RELEASE THE FULLY COCKED HAMMER DUE TO A STRONG IMPACT TO THE MECHANISM. PROPERLY ADJUSTED SET TRIGGERS WILL NOT RELEASE THE COCKED HAMMER WITHOUT PULLING THE FIRING TRIGGER. READ CAREFULLY THE INSTRUCTIONS BELOW ON HOW TO PROPERLY MAKE TRIGGER ADJUSTMENTS.

⚠ WARNING: MAKE CERTAIN THE GUN IS UNLOADED BEFORE MAKING ANY ADJUSTMENTS.

Double set trigger adjustment

REAR TRIGGER ADJUSTMENT.

Point your firearm in a safe direction, make sure it is unloaded and put the hammer in the half cock position. Insert a snap cap or fired cartridge case, so the firing pin will have something to strike against.

1. Screw # 1 controls the tension on the main spring (# 2) (See Picture 1) This screw is set at the factory and secured with Screw #5 through the side of the trigger plate. Often no further adjustment of screw #1 is needed so the shooter can make adjustments just using the front trigger adjustment screw (screw #3 – see picture 1). Do not attempt to adjust the trigger’s main spring tension with screw #1 until the set screw #5 has been loosened. To access the set screw, the lock then the buttstock must be removed.

2. If the trigger's main spring tension must be adjusted, first loosen set screw #5 then turn screw # 1 in a clockwise direction until the hammer stays cocked when it is pulled to fully cocked position.

NOTE: If screw # 1 is turned clockwise (inwards) too far, the hammer may not fall when the front trigger is pulled.

If screw # 1 is not turned clockwise enough, the hammer will not remain at full cock position unless the rear trigger is set.

3. When making adjustments on screw # 1 always move the screw in $\frac{1}{4}$ to $\frac{1}{2}$ turn increments and recheck your results before making more adjustments.

 **WARNING: THE FRONT TRIGGER WILL RELEASE THE HAMMER EVEN IF THE REAR TRIGGER HAS NOT BEEN "SET".**

FRONT TRIGGER ADJUSTMENT.

1. The front trigger will release the hammer even if the rear trigger is not "set" (clicked).

2. The front trigger adjustment screw (screw # 3) (See picture 1) changes the amount of movement, or "travel", the front trigger needs before releasing the hammer.

3. Turn screw # 3 in a clockwise (inward) direction to reduce the front trigger movement required to release the hammer.

4. Turn screw # 3 in a counterclockwise (outwards) direction to increase the required front trigger movement required to release the hammer.

NOTE. If screw # 3 is turned inwards too far, it will not "hold" the setting against the rear trigger sear notch (# 4).

5. Proper adjustment should produce a very small trigger movement with light pressure required. Such a setting helps a good shooter to obtain better accuracy.

Adjustment screws should be checked periodically to verify they are not loose due to shot vibrations.

On some guns with very strong recoil, a side screw (# 5) is included to make sure that the screw (# 1) doesn't get loose. See # 5 in picture #1

 **WARNING: AFTER YOU ADJUST THE SET TRIGGER, AND BEFORE YOU SHOOT YOUR FIREARM, YOU MUST MAKE THE FOLLOWING SAFETY TESTS:**


SET TRIGGER SAFETY TEST

1. Make certain the gun is UNLOADED, without any cartridge in the chamber and pointed in a safe direction.

2. Place the hammer in the half-cock position and insert a fired cartridge case or snapcap, so the firing pin will have something to strike against.

3. Full cock the hammer, then set the trigger as explained above.
4. Close the breech lever at least 10 times. Use more force than normally would be used.
5. The hammer must not fall during these experiments.
6. Now, with the gun pointing upwards, knock the butt sharply, several times, against a wood surface, make sure you protect the stock in a proper way. Repeat this impact test several times.
7. The hammer must not be released by these strong impacts. If the hammer remains in full cocked position, your trigger setting is normal and safe.
8. If the hammer does release during this impact test, you must change the adjustment of the front, rear or both triggers in order to obtain a proper safe setting.

Caution: If you allow others to shoot your rifle, we suggest letting them try the set triggers before allowing live ammunition to be fired. The light trigger pressure can be a surprise to many shooters who have not had previous experience with a set trigger system. The hammer does not have to be cocked to allow this trigger practice. Just “set” the rear trigger and allow the new shooter to experience the light trigger pull.

 **WARNING: NEVER TAMPER WITH THE TRIGGER PULL ADJUSTMENT MECHANISM IN ORDER TO ALTER THE MINIMUM SETTINGS OF THIS OR ANY OTHER FIREARM'S TRIGGER PULL NEVER ATTEMPT IN ANY WAY TO MODIFY OR ALTER THE SEAR ENGAGEMENT OR ANY OTHER TRIGGER ASSEMBLY COMPONENT.**

PROPER OPERATION OF THE RIFLE'S ACTION

 **WARNING: NEVER LOAD OR UNLOAD THIS FIREARM WITH THE HAMMER FULLY COCKED, ALWAYS PUT THE HAMMER AT HALF-COCK.**

 **WARNING: NEVER OPEN THE BREECH BLOCK WITH THE HAMMER DOWN AS YOU COULD DAMAGE THE FIRING PIN OR EVEN FIRE THE GUN IF A LOADED CARTRIDGE IS IN THE CHAMBER.**

1. Always point the muzzle downrange in a safe direction BEFORE attempting to load and fire the rifle.
2. Before you start to load this rifle you MUST put the hammer into the half-cock position (first click when pulling the hammer backward). See **Picture 3**



Picture 3

3. Do not load the rifle until you are ready to shoot safely.
4. Whenever the hammer is fully down, the firing pin is pushed forward and in contact with the primer (see picture 4)



Picture 4

DO NOT lower the breech block with the hammer down as you could damage the firing pin or even fire the gun if a loaded cartridge is in the chamber.

5. After firing a shot, the hammer must be pulled back into half cock position and then the lever operated to fully lower the breech block, extracting the fired case.

⚠ WARNING. NEVER OPEN OR CLOSE THE BREECH LEVER WITH THE HAMMER RESTING AGAINST THE FIRING PIN. DOING SO COULD FIRE THE RIFLE IF YOU HAVE A ROUND IN THE CHAMBER.

LOADING YOUR SHARPS RIFLE



WARNING.

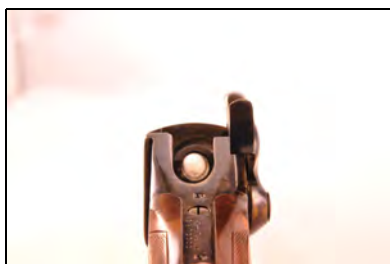
USE ONLY FACTORY AMMUNITION IN THE GUN'S PROPER CALIBER AND CONFORMING TO SAAMI SPECIFICATIONS.

1. Before loading your rifle check the barrel for possible obstructions. To do this, first be sure that the rifle is aimed in a safe direction, then make the rifle safe by placing the hammer in the half-cock position. (See picture 3)
2. Extend the lever downward, fully opening the breech. (see picture 5)



Picture 5

3. Look into the chamber to make sure there are no obstructions in the barrel. See Picture 6



Picture 6

4. Clean the barrel with a cotton patch to remove any oil or grease residues.
5. Point the muzzle downrange in a safe direction.
6. Carefully insert one cartridge of the proper caliber completely into the breech **See Picture 7**



Picture 7

7. Close the action, pushing back up the lever. See picture 8.



Picture 8

⚠ WARNING!!!

DO NOT FORCE THE CARTRIDGE DURING CHAMBERING. THE CARTRIDGE SHOULD ALWAYS SLIDE EASILY INTO THE CHAMBER. DO NOT LOAD DIFFERENT CALIBER AMMUNITION THAN WHAT IS MARKED ON THE BARREL OF YOUR RIFLE.

8. If a cartridge doesn't enter easily in the chamber, remove it and check the cartridge chamber to make sure it is not obstructed or ruined.
9. Check the cartridge to make sure it is of correct caliber and dimension
10. Do not use ammunition with a protruding primer, you risk accidentally shooting the ammo when closing the breech block.
11. You are now ready to fire the rifle.

UNLOADING YOUR SHARPS RIFLE

1. After firing, put the hammer on the safe (half cock) position. See picture 3.
2. Lower the lever firmly and, while the breech block is falling the extractor will rotate and extract the cartridge from the chamber. See Picture 9.



Picture 9

3. Pull the spent case out.
4. Always keep the muzzle pointed in a safe direction.

WARNING: If the rifle's chamber is not cleaned regularly, the extractor can get stuck after extracting a cartridge and will not allow the breech block to close. In these cases follow the instructions to disassemble and clean your gun. Remember to clean the gun regularly.

UNLOADING A LIVE ROUND



EXTREME CARE MUST BE TAKEN WHEN RETURNING A FULLY COCKED HAMMER TO THE HALF COCK POSITION IF YOU HAVE A LOADED ROUND IN THE CHAMBER.

1. If you decide not to shoot a loaded round keep your fingers off the trigger area and keep the muzzle pointed in a safe direction.
2. Get a firm grasp of the hammer spur with your thumb and pull slightly rearward. **See picture 10**



Picture 10

3. Pull the front trigger, while keeping control of the hammer, gently ease the hammer forward all the way down. (The internal mechanism of the lock does not allow placing the hammer on half cock from the full cock position)
See picture 11



Picture 11

4. Release pressure on the trigger and immediately pull the hammer slowly back and into the half cock position.
5. Once the hammer is in the half cock position, lower the lever and remove the live round.

Practice this procedure without live ammunition until you have mastered this procedure

FIRING YOUR RIFLE

1. Point the rifle downrange toward your target and fully cock the hammer.
See Picture 12



Picture 12

2. While pointing at your target, slowly pull on the rear trigger until it “sets” (clicks). See picture 13.



Picture 13

3. While pointing at your target, slowly pull the front trigger until your rifle fires. See picture 14



Picture 14

Reloading data for black powder cartridges can be found in Lyman's Reloading Handbook and other recognized reloading manual.

DISASSEMBLY AND RE-ASSEMBLY OF YOUR RIFLE

FIELD STRIPPING YOUR SHARPS RIFLE

- 1) Place the hammer in the half-cock position. (See Picture 3)
- 2) Extend the lever downward, fully opening the breech. (see picture 5)
- 3) Push plunger pin located on the right side of the frame.
- 4) While pushing in on the plunger pin, rotate the arm of the lever hinge pin forward past the plunger pin, approximately 180 degrees from its original position. See Picture 15



Picture 15

- 5) Remove the lever hinge pin from the mounting hole by pulling it straight out.
- 6) After the lever hinge pin has been removed, slide the lever and the breech block out of the frame. See Picture 16
- 7) Remove the extractor from the receiver.



Picture 16

8) You have now field stripped the rifle. See picture 17



Picture 17

⚠ WARNING. DO NOT DISASSEMBLE YOUR LYMAN RIFLE FURTHER THAN WHAT IS INSTRUCTED IN THIS MANUAL. FURTHER DISSASSEMBLY SHOULD ONLY BE ATTEMPTED BY A QUALIFIED GUNSMITH.

TO RE-ASSEMBLE YOUR SHARPS RIFLE

- 1) Place the extractor into its seat in the breech block.
- 2) Slide the breech block and lever into the receiver.
- 3) Align the mounting holes in the breech block and extractor with the lever hinge pin's hole in the side of the receiver.
- 4) Insert the lever hinge pin fully into the receiver's mounting hole.
- 5) Push in the plunger pin and rotate the lever hinge pin pass the plunger pin until it rests against the receiver and is secured in the retaining slot in the receiver.
See picture 18



picture 18

TO CLEAN YOUR RIFLE

- 1) Disassemble your rifle as per the instruction given in page 22.
- 2) **If shooting modern rounds (smokeless powder).** Use a good quality gun cleaning solvent to clean the inside of the receiver, chamber, barrel and block.
- 3) Oil sparingly all parts and reassemble.
- 4) Oil sparingly all surfaces of the rifle.
- 5) **If shooting black powder cartridges.** Black powder residue is highly hygroscopic (attracts water) and will rust your gun if not properly cleaned and oiled after shooting.
- 6) Use a good quality Black Powder Cleaning Solution to clean the inside of the receiver, chamber, barrel and block.
- 7) Oil sparingly all parts and reassemble.
- 8) Oil sparingly all surfaces of the rifle.

Ordinary and extraordinary maintenance :

- ◆ Before attempting any kind of maintenance verify that the gun is unloaded and pointed in a safe direction.
- ◆ **Ordinary maintenance** means all the steps the owner should follow to keep the gun in good service before and after shooting.
- ◆ **Extraordinary maintenance** implies the change of broken or worn parts and disassembling the gun. Only authorized personnel or qualified gunsmiths should disassemble the gun or attempt to repair it..
- ◆ Avoid excessive oil.
- ◆ Check that the mechanism of the firearm is smooth; if you notice the mechanism getting hard you should take your gun to a qualified gunsmith .
- ◆ Don't use pure silicone or lanoline.
- ◆ Always inspect your gun and take it to a qualified gunsmith for inspection, after long periods of storage.
- ◆ If you need to order parts you must indicate purchase date, serial number, the exact model and the caliber of your gun and the item ref. of the part you need.
- ◆ If you have any doubt about your firearm's proper function , **DON'T USE IT**, have it inspected by a qualified gunsmith.
- ◆ Improper use of or modifications to the firearms may cause serious injury and/or death to yourself and/or any bystanders
- ◆ **Always use this, and any firearm, with care and respect to avoid any incident or event that may cause injury to you or others.**

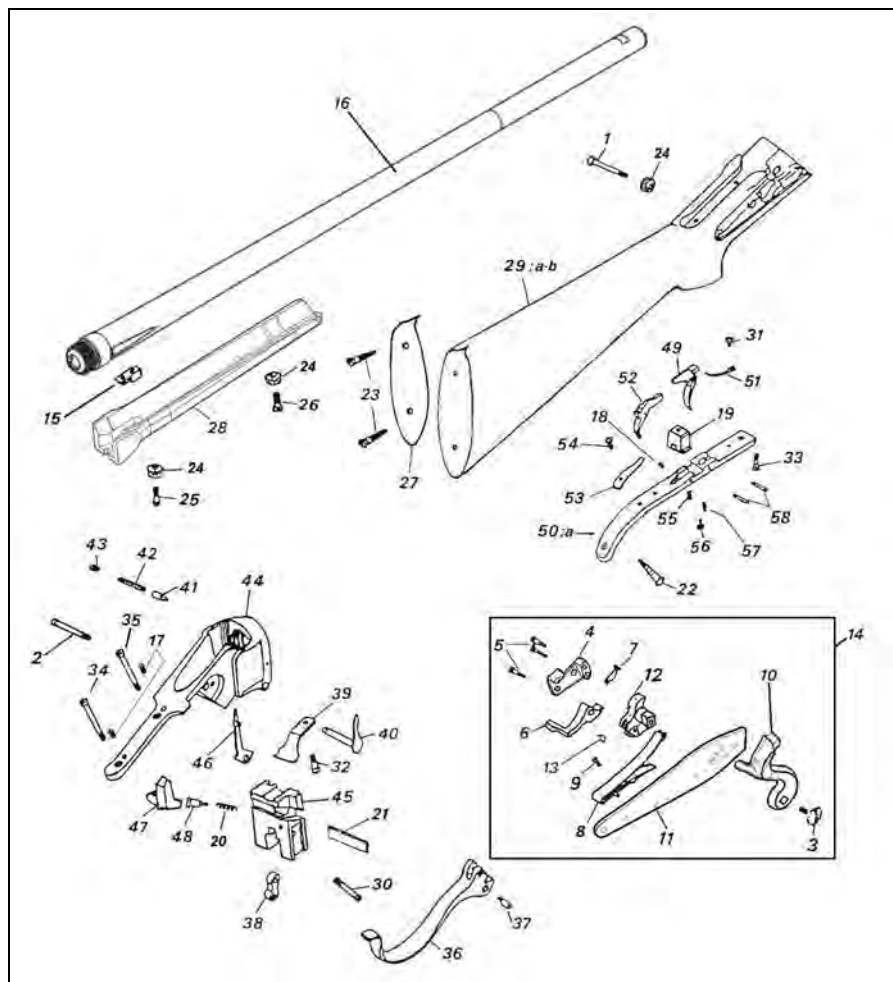
MALFUNCTIONS

The proper function of your firearm is directly related to care and maintenance and to the ammunition used. Your firearm has been designed to function with high quality ammunition produced to commercial standards. Some of the more common types of malfunctions which may occur are as follows:

- ◆ **MISFIRE:** a failure of the cartridge to ignite when the hammer falls.
CAUTION: if this occurs, keep the firearm pointed in a safe direction, wait 60 seconds, remove the cartridge from the chamber and dispose of it properly.
Do not re-utilize unexploded ammunitions.
CAUSE: The most common cause of misfire is faulty ammunition.

- ◆ **FAILURE TO EXTRACT OR EJECT:** a fired case is not fully extracted from the chamber or ejected from the gun.
CAUTION: If this occurs, keep the firearm pointed in a safe direction; clear the gun by opening the action and removing any cartridge or cartridge case manually. Check the unloading procedures in this manual.
CAUSE: The most common causes are black powder fouling or black powder and oil residues in the chamber or on the extractor slides, improperly loaded or sized cartridges. If any of the above problems cannot be corrected by cleaning the mechanism or by the use of another brand of ammunition, the firearm should be sent, unloaded, to a qualified gunsmith with a full description of the problem. Do not attempt to make repairs or modifications since these should only be done by a qualified gunsmith.

EXPLODED VIEW



| No. | DESCRIPTION | REFERENCE |
|-----|---------------------------------------|------------|
| 1 | Rear lock plate screw | M70AFM0225 |
| 2 | Front lock plate screw | M70AFM0226 |
| 3 | Hammer screw | M70AFC0228 |
| 4 | Bridle | 0800001032 |
| 5 | Bridle screw | M70TFM5524 |
| 6 | Sear | 0800001033 |
| 7 | Stirrup | 0800001036 |
| 8 | Mainspring | 0800001037 |
| 9 | Mainspring screw | M70TFC5495 |
| 10 | Hammer | 0800001038 |
| 11 | Lock plate | 0800001052 |
| 12 | Tumbler | 0800003911 |
| 13 | Fly | 0800002915 |
| 14 | Complete lock | 080S499000 |
| 15 | Barrel stud | 0800000210 |
| 16 | Barrel .45-70 cal. (See note) | 0800001053 |
| 17 | Screw for diopter mounting front hole | M70OST6127 |
| 18 | Side screw | M700ST5563 |
| 19 | Trigger plate plaque | 0800005338 |
| 20 | Firing pin spring | 0800003752 |
| 21 | Firing pin block plate | 0800004208 |
| 22 | Rear trigger guard screw | M70LFM5324 |
| 23 | Butt plate screw | M70LFM5324 |
| 24 | Lock plate and forend screw bush | 0800000220 |
| 25 | Forend screw | M70AFC0221 |
| 26 | Forend screw | M70AFC0215 |
| 27 | Butt plate | 0800002450 |
| 28 | Forend | 0800001229 |
| 29 | Stock | 0800001231 |
| 29a | Stock finished | 080001231A |
| 29b | Stock with spares | 080001231B |
| 30 | Upper toggle link screw | M70AFM0184 |
| 31 | Front trigger spring screw | M70AFC0191 |
| 32 | Lever spring screw | M70AFC0196 |
| 33 | Front trigger plate screw | M70AFC0194 |
| 34 | Rear tang screw | M70AFM0197 |
| 35 | Rear tang screw | M70AFM5578 |
| 36 | Lever | 0800000198 |
| 37 | Lower toggle link screw | M70AFM0199 |
| 38 | Toggle | 0800000200 |

| | | |
|-----|------------------------------------|------------|
| 39 | Lever spring | 0800000201 |
| 40 | Lever pin | 0800000203 |
| 41 | Lever plunger pin | M70APC0204 |
| 42 | Lever plunger pin spring | 0800000205 |
| 43 | Lever plunger pin spring screw | M70AFC0206 |
| 44 | Frame | 0800001019 |
| 45 | Breech block | 0800001002 |
| 46 | Extractor .45 cal. | 0800001003 |
| 47 | Firing pin block | 0800001004 |
| 48 | Firing pin | 0800001007 |
| 49 | Front trigger | 0800001142 |
| 50 | Trigger plate | 0800001183 |
| 50a | Trigger plate, assembled | 080001183B |
| 51 | Front trigger spring | 0800001144 |
| 52 | Rear trigger | 0800001146 |
| 53 | Set trigger spring | 0800001147 |
| 54 | Set trigger spring screw | M70AFC1148 |
| 55 | Set trigger spring adjusting screw | M70AST1149 |
| 56 | Set trigger adjusting screw | M70AFC1150 |
| 57 | Set trigger adjusting screw spring | 0800003766 |
| 58 | Trigger pin | M70COP1152 |

MANUFACTURER'S WARNING:

This firearm was manufactured to properly perform with the original parts as designed. It is your responsibility to make sure any parts you buy are correctly installed and that neither replacements nor originals are altered or changed. Your gun is a complex tool with many parts that must relate correctly to other parts for safe and accurate operation. Putting a gun together incorrectly or with modified parts can result in a damaged gun, or personal injury or death to you or others. Always let a qualified gunsmith work on your gun or at least, check any work not performed by a gunsmith. Firearms safety is your primary concern. **THE GUN OWNER MUST ACCEPT FULL RESPONSIBILITY FOR THE CORRECT REASSEMBLY AND FUNCTIONING OF THE FIREARM AFTER ANY DISASSEMBLY OR REPLACEMENT OF PARTS.**

TO CLEAN AND MAINTAIN YOUR RIFLE:

A) Follow procedures for unloading rifle as described previously.

B) Follow procedures for disassembly of rifle as described previously.

C) Materials needed to clean this rifle are: a cleaning rod, cotton bore patches, brass bore brush, powder solvent, a small soft brush and good quality gun oil.

WARNING: Lead or lead compounds are known to cause cancer, birth defects, reproductive toxicity, and other serious physical injury. Those who clean firearms should take protective measures to avoid contact or exposure to such chemicals.

D) Using the bore brush with powder solvent, scrub the interior of the barrel and chambers to remove any powder and lead residue in the bore. Always and lastly, swab the interior of the barrels with cotton patch with gun oil to coat and protect the bore and chambers from rust and corrosion.

E) Any powder fouling on the firing wall, barrel, etc. can be easily cleaned with a brush and powder solvent.

F) All external surfaces should be wiped down with a light coat of rust preventative. Avoid using too much oil as powder, dust or other foreign material may get trapped in the oil. This could lead to congealed deposits which may interfere with the safe and reliable operation of the rifle.

G) USE CAUTION while using solvents in gun bore cleaning. Prolonged or excess contact with solvents can damage the gun's bluing and finish. Be sure to wipe away all excess solvent and then lubricate with oil.

H) A gun should be cleaned after firing. In addition, external parts should be wiped with an oiled cloth after handling. A light oil is ordinarily all that is necessary in cleaning if the gun has not been fired or fired very little. If a gun is used frequently, it must be cleaned after each firing and regularly serviced by a professional gunsmith. If the gun has been stored, remove all excess oil and/or grease before firing. Always

check to be sure that no cleaning patch or other obstruction remains in the bore or chambers before firing.

DANGER – AMMUNITION WARNING

Firearms may be damaged and serious personal injury or death to the shooter or bystanders may result from any condition which contributes to the generation of excessive pressure or uncontrolled release of gas within the firearm. Such adverse conditions can be caused by bore or chamber obstruction, propellant powder overloads or by defective, incorrect or improperly loaded and assembled cartridge components. Even the strongest firearm can fail as a result of excessive pressure. It is extremely dangerous to use a cartridge whose pressure is greater than that developed by cartridges loaded to industry standards.

AMMUNITION (CARTRIDGES) NOTICE

We specifically disclaim responsibility for any damage, personal injury or death occurring in connection with or as the result of the use of Lyman's Classic Series rifles with faulty, non standard, remanufactured or reloaded ammunition, or with cartridges other than factory cartridges for which the firearm was originally chambered.

LUBRICATION WARNING

Firing a rifle with oil, grease or any other material even partially obstructing the bore may result in damage to the rifle and personal injury to the shooter and those nearby. Do not spray or apply lubricants directly on ammunition. If the primer or powder charge of a cartridge is affected by the lubricant, they may not fully ignite yet the energy from the primer and/or powder may be sufficient to push the projectile or wad into the bore where it may become lodged. Firing a subsequent cartridge into the obstructed bore will damage the rifle and may cause personal injury to the shooter and those nearby. Use lubricants properly. You are responsible for the proper care and maintenance of your firearm and ammunition.

WARRANTY

This Lyman firearm is warranted to the original retail customer for one year from date of purchase against defects in material and workmanship. All parts and labor or replacement **at our option** are covered. Wood Stock and Wood Forend are not covered by this one year warranty. The warranty on the wood stock and forend is 60 days from purchase and only covers manufactured and material defects. **Transportation to and from our repair facilities**, government fees, damage caused by failure to perform normal maintenance, damage due to use of high velocity, high pressure, reloaded or other non-standard ammunition, or any unauthorized repair, modification, misuse, abuse, or alteration of the product is not covered by this warranty.

Consequential or incidental damages and/or expenses, or any other expenses are not covered by this warranty.

To obtain warranty performance send us the Warranty Coupon that you can find on the next page.

WARRANTY REPAIR STATION

Include a description of the problem and return authorization and ship to:
Mr. Lee Shaver
c/o Little Creedmoor Rifle Co.
703 3rd Street
Dodge City, Kansas 67801

WARNING—ALTERATIONS OR MODIFICATIONS

Altering or modifying parts and/or internal safeties is dangerous and will void the warranty. This rifle was manufactured to perform properly with the original parts as designed. It is your duty to make sure any parts you buy are made for this firearm and are installed correctly and that neither the replacements nor originals are altered or changed. Your gun is a complex precision tool with many parts that must relate correctly to other parts in order for proper and safe operation. Putting a gun together wrong or with incorrect or modified parts can result in a damaged gun, danger, and personal injury or death to you and others through malfunction. Always have a qualified gunsmith work on your gun or at least check any work not performed by a gunsmith.

YOUR OWNER'S MANUAL

Always keep this manual with your firearm. Make sure you understand all the warnings, operation instructions and safety procedures. When you lend, give or sell the firearm, be sure this manual goes with it.

WARRANTY CARD

Please fill-out the warranty card below and send it to:

Lyman
Warranty Records Dept. 1878
475 Smith St.
Middletown, CT 06457

NAME:.....

SURNAME:.....

ADDRESS.....

POST CODE.....CITY.....

COUNTRY.....

MODEL

SERIAL NUMBER.....

DATE AND PLACE OF PURCHASE.....

.....



WARNING

Children are attracted to and can operate firearms that can cause severe injuries or death.

Prevent child access by always keeping guns locked away and unloaded when not in use. If you keep a loaded firearm where a child obtains and improperly uses it, you may be fined or sent to prison.



ADVERTENCIA

A los niños les atraen las armas de fuego y pueden hacerlas funcionar. Ellos pueden causarse lesiones graves y la muerte.

Evite que los niños tengan acceso a las armas de fuego guardándolas siempre con llave y descargadas cuando no las esté utilizando. Si usted tiene un arma de fuego cargada en un lugar en que un niño tiene acceso a ella y la usa indebidamente le pueden dar una multa y enviarlo a la cárcel.

Lyman

475 Smith St.

Middletown CT 06457

www.lymanproducts.com