

## INSTRUCTIONS FOR STUCK CASE REMOVER

The Lyman Stuck Case Remover will safely and easily remove stuck cases from sizing dies. All the tools that are needed are included in this set, except for a power or cordless drill, and a hack saw. We also recommend holding the die securely in a vise during case removal.

**WARNING: DO NOT ATTEMPT TO USE THIS CASE REMOVER WITH CASES WITH LIVE PRIMERS OR LOADED AMMUNITION! SERIOUS INJURY COULD RESULT!**

### Instructions

- 1) Back out the decapping rod assembly as far as possible from the die body. If possible, unthread the expander button from the decapping rod and remove the rest of the decapping rod assembly.
- 2) Thread die body into threaded collar until snug.
- 3) Clamp die in vice, using the flats on the threaded collar.
- 4) Install the supplied #7 twist drill into a power or cordless drill.
- 5) Drill completely through the primer pocket and web area of the case, using the hole in the threaded collar as a vertical guide, as shown in Figure 1. Always wear safety glasses when using power tools.
- 6) Slide the supplied tap into the tap knob. Insert the hex wrench through the tap knob as shown in Figure 2.
- 7) Start the ¼-20 tap into the hole that was drilled through the case, again using the hole in the threaded cap for proper alignment. If available, the use of an oil such as WD40 will help the tap cut the brass. Cut threads through the hole by continuing to turn the tap fully through the drilled hole. The tap will work best if it is turned clockwise a full turn, and then backed off counterclockwise a ½ turn to clear chips. Repeat until you are through the drilled hole.
- 8) Insert the supplied ¼-20 screw through the hole in the cap and thread it into the case using the supplied hex wrench.



Figure 1

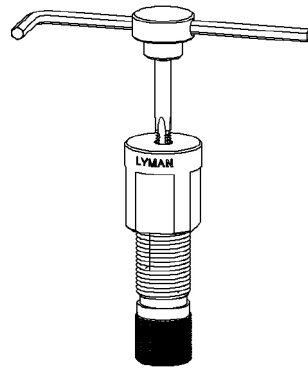


Figure 2

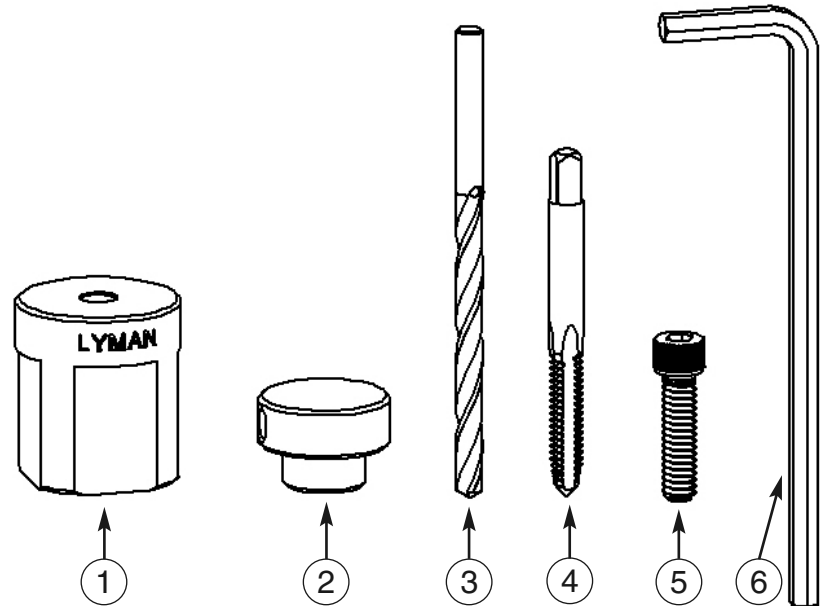
9) Tighten the screw until the stuck case is pulled out of the die body. Note: It is recommended to spray some kind of oil / penetrating oil onto the case to help aid in removal.

10) Remove the screw from the case and the cap from the die body. If any die parts such as an expander button or decapping rod are still inside the case, the case will need to be cut in half so that the parts can be removed.

11) Reassemble the decapping rod assembly and reinstall it into the die body.

### Parts List:

1. Threaded Collar .....#7680351
2. Tap Knob .....#7680352
3. #7 Drill Bit .....#7680353
4. ¼-20 Tap .....#7680354
5. ¼-20 Cap Screw .....#7680355
6. ⅜ Long Arm Hex Wrench .....#7680356



### Lyman Products

475 Smith Street, Middletown, CT 06457  
1-800-22LYMAN www.lymanproducts.com