

LYMAN GREAT PLAINS RIFLE and GREAT PLAINS HUNTER

Weight: 9 Lbs./OAL: 50"

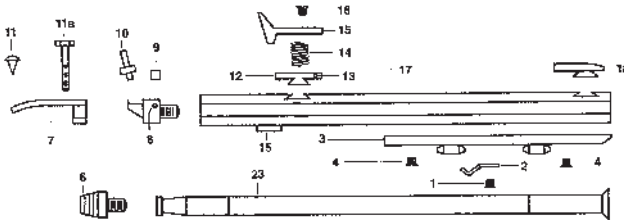


The rifle carried across the Great Plains by western pioneers and fur trappers was the culmination of percussion firearms development. This "Great Plains" rifle was designed and built by such famous makers as Hawken, Gemmer and Demick to the specifications of experienced backwoodsmen. Only the best and most reliable designs and finest workmanship were acceptable. Today, as in the 1800's, the experienced black powder shooter is looking for a very special rifle. The Lyman Great Plains Rifle, with its graceful, yet sturdy lines, is such a gun. The modern muzzleloader will appreciate its combination of strength, reliability, accuracy and authentic good looks. It is truly a black powder gun of remarkable significance.

Each Great Plains Rifle offers such high quality features as a 32", 1 in 60" twist barrel for patched ball and hunting loads, double set triggers, Hawken style percussion "snail" with clean out screw and reliable coil spring lock with correct lock plate. All guns come with walnut stocks and darkened steel furniture. The Great Plains Hunter features a 1 in 32" fast twist barrel for conicals or sabots.

Barrel and Sight Group

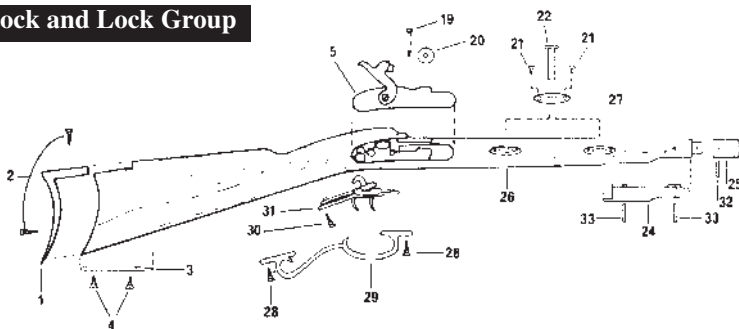
***Note: Breech plugs and barrels not sold separately, only as factory-assembled units.**



Components

Dwg. Pc. Mk.	Part Number	Description	Dwg. Pc. Mk.	Part Number	Description
1	6030263	Ramrod Spring Screw	14	6030218	Rear Sight Spring
2	6993102	Ramrod Clip Spring	15	6030219	Rear Sight Elev. Assy.
3	6030137	Barrel Rib & Thimbles	16	6030220	Rear Sight Adj. Screw
4	6030134	Rib Screw	16a	6030099	Adj. Rear Sight (complete)
6	6030120	Cleaning Jag (.50 cal.)	16b	6030227	Primitive Rear Sight (not shown)
6a	6030101	Cleaning Jag (.54 cal.)	17a	6030221	Barrel (.50 cal.) per.
7	6030121	Tang	17b	6030222	Barrel (.54 cal.) per.
8	6030176	Touch Hole Liner (Flint)	17c	6030198	Barrel (.50 cal.) Flint
9	6030123	Cleanout Plug	17d	6030199	Barrel (.54 cal.) Flint
10	6030124	Nipple 6 x .75mm	17e	6030272	L.H. Barrel (.50 cal.) perc.
11	6030125	Tang Screw (rear)	17f	6030274	L.H. Barrel (.54 cal.) perc.
11	6030191	Tang Through-Bolt (front)	17g	6030276	L.H. Barrel (.50 cal.) Flint
12	6030216	Rear Sight Base	17h	6030278	L.H. Barrel (.54 cal.) Flint
13	6030217	Rear Sight Pin	17i	6030266	GPH Barrel (.50 cal.) per.
			17j	6030267	GPH Barrel (.54 cal.) per.
			17k	6030268	GPH L.H. Barrel (.50 cal.) per.
			17l	6030269	GPH L.H. Barrel (.54 cal.) per.
			17m	6031108	GPH Barrel (.50 cal.) Flint
			17n	6031109	GPH Barrel (.54 cal.) Flint
			18	6030223	Front Sight
			23	6030224	Ramrod (10-32 Thread)

Stock and Lock Group



Components

Dwg. Pc. Mk.	Part Number	Description	Dwg. Pc. Mk.	Part Number	Description
1	6030201	Butt Plate	24	6030206	Entry Pipe
2	6030202	Butt Plate Screws	25	6030207	Forend Cap
3	6030203	Toe Plate	26	6030208	Stock
4	6030204	Toe Plate Screws	26a	6030270	L.H. Stock
5	6030119	Lock Assembly	27	6030209	Escutcheon
5a	6030180	Lock Assembly (Flint)	28	6030210	Trigger Guard Screw
5b	6993170	L.H. Lock Assembly	29	6030211	Trigger Guard
5c	6993171	L.H. Lock Assembly (Flint)	30	6030212	Trigger Assy. Mount Screw
19	6030139	Lock Mounting Screw	31	6030213	Trigger Assembly
20	6030195	Lock Screw Bushing (steel)	32	6030214	Forend Cap Pin
21	6011118	Escutcheon Screw	33	6030215	Entry Pipe Pin
22	6030205	Wedge (front)*			
22a	6030196	Wedge (rear)*			

***Note:** The rear wedge is slightly longer than the front wedge and is installed closest to the lock. Both wedges are installed from the right to the left. This is true for right or left-hand rifles. Sights are also installed from the right to the left. Sights are removed from the left to the right.

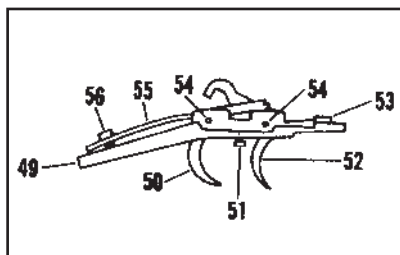
Note: Lock assembly for percussion and flintlock rifles shown on page 30.

Set Trigger Assembly

Your Great Plains Rifle is equipped with a limited adjustment set trigger system. This system provides either a standard trigger for snap shots while hunting or a more sensitive "set" trigger for precision shooting.

Operation: To engage the set trigger pull the hammer back to full cock, squeeze the rear trigger until a "click" is felt, then carefully aim and press the front trigger. Be careful—don't let the light pull catch you by surprise! You may fire the rifle without engaging the set trigger by using only the front trigger.

Adjustment: Turning the adjustment screw (51) clockwise will lighten the set trigger pull; turning the screw counter-clockwise will increase it. The range of adjustment is limited by Lyman to prevent the set trigger from being lightened to the point where we feel it would be unsafe. Use common sense in this adjustment and in the use of the trigger mechanism.



Components

Dwg. Pc. Mk.	Part Number	Description
49	6030162	Trigger Plate
50	6030163	Set Trigger
51	6030164	Adjusting Screw
52	6030165	Hair Trigger
53	6030166	Hair Trigger Spring
54	6030167	Trigger Pivot Pin
55	6030168	Trigger Main Spring
56	6030169	Main Spring Screw