

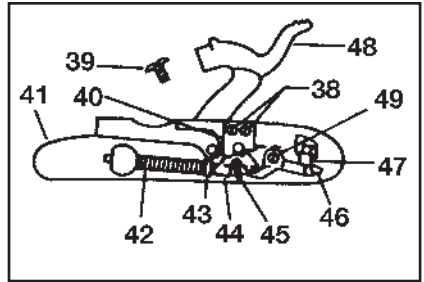
LOCK ASSEMBLIES

Percussion Lock Assembly

(For Lyman Great Plains, Trade and Deerstalker Percussion Models)

The percussion lock on your Black Powder Rifle is a near-perfect blend of both old and new. The exterior is finely finished and color case-hardened as were the guns of 150 years ago.

Inside, the lock is a redesigned system featuring a coil mainspring (42) instead of the traditional leaf spring. This is a much more durable mainspring, one that is not prone to the breakage problems encountered with the flat leaf springs.



Components

| Dwg. Pc. Mk. | Part Number | Description | Dwg. Pc. Mk. | Part Number | Description |
|--------------|-------------|---------------------|--------------|-------------|-----------------------|
| 38 | 6030151 | Bridle Screws | 44a | 6993189 | L.H. Tumbler |
| 39 | 6030152 | Hammer Screw | 45 | 6030158 | Fly |
| 40 | 6030153 | Bridle | 46 | 6030159 | Sear |
| 41 | 6030154 | Lock Plate | 46a | 6993188 | L.H. Sear |
| 41a | 6993186 | L.H. Lock Plate | 47 | 6030160 | Sear Plunger & Spring |
| 42 | 6030155 | Main Spring | 48 | 6030161 | Hammer |
| 43 | 6030156 | Main Spring Plunger | 48a | 6993184 | L.H. Hammer |
| 44 | 6030157 | Tumbler | 49 | 6011127 | Sear Screw |

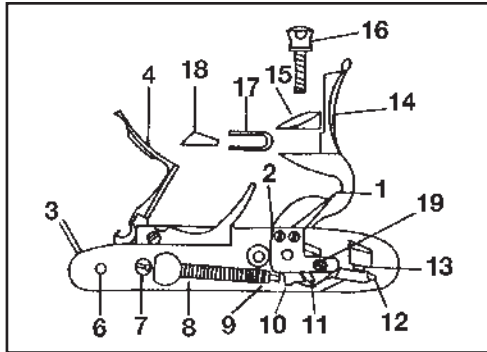
Note: Pull hammer to full cock before removing lock assembly from the stock. Wood damage will result if this is not done.

Percussion Lock Assembly—Stainless Steel

| Dwg. Pc. Mk. | Part Number | Description | Dwg. Pc. Mk. | Part Number | Description |
|--------------|-------------|---------------------|--------------|-------------|-----------------------|
| 38 | 6993320 | Bridle Screw | 44 | 6993325 | Tumbler |
| 39 | 6993321 | Hammer Screw | 45 | 6030158 | Fly |
| 40 | 6993322 | Bridle | 46 | 6993326 | Sear |
| 41 | 6993323 | Lock Plate | 47 | 6993327 | Sear Plunger & Spring |
| 42 | 6030155 | Main Spring | 48 | 6993328 | Hammer |
| 43 | 6993324 | Main Spring Plunger | 49 | 6993329 | Sear Screw |

Flintlock Lock Assembly

For Great Plains, Trade and
Deerstalker Flint Models



Components

| Dwg. Pc. Mk. | Part Number | Description | Dwg. Pc. Mk. | Part Number | Description |
|--------------|-------------|----------------------|--------------|-------------|-----------------------|
| 1 | 6030151 | Bridle Screw | 10a | 6993189 | L.H. Tumbler |
| 2 | 6030153 | Bridle | 11 | 6030158 | Fly |
| 3 | 6030181 | Lock Plate | 12 | 6030159 | Sear |
| 3a | 6993187 | L.H. Lock Plate | 12a | 6993188 | L.H. Sear |
| 4 | 6030182 | Frizzen | 13 | 6030160 | Sear Plunger & Spring |
| 5 | 6030183 | Frizzen Spring* | 14 | 6030186 | Hammer |
| 5a | 6993191 | L.H. Frizzen Spring* | 14a | 6993185 | L.H. Hammer |
| 6 | 6030184 | Frizzen Spring Screw | 15 | 6030187 | Hammer Jaw |
| 7 | 6030185 | Frizzen Screw | 16 | 6030188 | Jaw Screw |
| 8 | 6030155 | Main Spring | 17 | - | Leather** |
| 9 | 6030156 | Main Spring Plunger | 18 | - | Flint** |
| 10 | 6030157 | Tumbler | 19 | 6011127 | Sear Screw |

Note: Pull hammer to full cock before removing lock assembly from the stock. Wood damage will result if this is not done.

* Not shown in illustration

**Not available from Lyman