

LYMAN PLAINS PISTOL

Lyman's Plains Pistol recreates the trapper's pistol of the mid-1800's while incorporating the best of modern steels and technology.

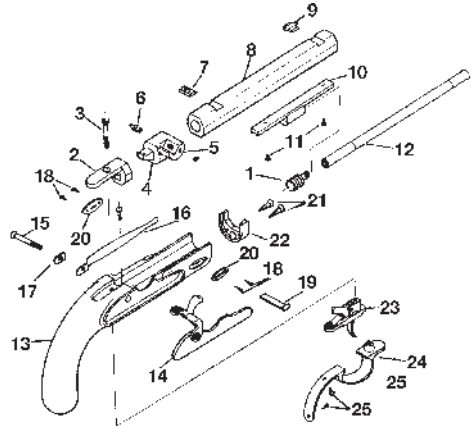
All steel parts on the finished gun are polished and blued - except for the belt hook. The percussion lock is hardened internally with a color-case hardened lockplate and hammer on both the kit and finished gun.

Your Plains Pistol is designed to fire a tightly patched roundball accurately at various charge levels. Do not shoot conical bullets, such as the "Maxi" or Minié ball. The conical bullets are very heavy, compared to a patched round-ball, and are very likely to slip towards the muzzle if the loaded pistol is carried on the belt. The resultant space between bullet and powder could produce a bulged or burst barrel under certain conditions.

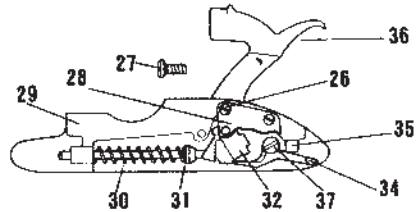
Stock and Lock Group

Dwg. Pc. Mk.	Part Number	Description
1	6030120	Cleaning Jag (.50 cal)
1a	6030101	Cleaning Jag (.54 cal)
2	6011102	Tang-Pl. Pistol
3	6011103	Tang Screw-Pl. Pistol
4	6030122	Breech Plug
5	6030123	Cleanout Plug
6	6030124	Nipple 6 x .75mm
7	6011104	Rear Sight-Pl. Pistol
8	6011106	Barrel (.50) Blued; Pl. Pistol
8a	6011107	Barrel (.54) Blued; Pl. Pistol
9	6011108	Front Sight-Pl. Pistol
10	6011109	Barrel Rib w/attached ferrule-Pl. Pistol
11	6011110	Barrel Rib Screw-Pl. Pistol
12	6011111	Ramrod-Pl. Pistol (10-32 thread)
13	6011112	Stock (finished)-Pl. Pistol
13a	6011113	Stock (kit)-Pl. Pistol
14	6011114	Lock Assembly-Pl. Pistol
15	6011115	Lock Mounting Screw Pl. Pistol
16	6011116	Belt Hook-Pl. Pistol
17	6011117	Lock Screw Bushing
18	6011118	Escutcheon Screw-Pl. Pistol
19	6011119	Wedge-Pl. Pistol*
20	6011120	Escutcheon-Pl. Pistol
21	6011121	Forend Cap Screw-Pl. Pistol
22	6011122	Forend Cap-Pl. Pistol
23	6011123	Trigger Assembly-Pl. Pistol
24	6011128	Trigger Guard-Pl. Pistol
25	6011129	Trigger Guard Screw-Pl. Pistol
	6011130	Ramrod Spring
	6011131	Guard Stock Screw

Note: Breech plugs and barrels not sold separately, only as factory-assembled units.



Shooting Caution: Do not carry your loaded Plains Pistol with a percussion cap on the nipple. This is just as unsafe as carrying a single-action revolver with a primed chamber under the hammer - even if the hammer is on the safety notch.



***Note:** The wedge is installed from the right to the left. Sights are also installed from the right to the left. Sights are removed from the left to the right.

Percussion Lock Assembly

Dwg. Pc. Mk.	Part Number	Description
26	6030151	Bridle Screws*
27	6030152	Hammer Screw*
28	6011124	Bridle-Pl. Pistol
29	6011125	Lock Plate-Pl. Pistol
30	6030155	Main Spring*
31	6030156	Main Spring Plunger*

Dwg. Pc. Mk.	Part Number	Description
32	6030157	Tumbler*
34	6011137	Sear
35	6030160	Sear Plunger & Spring*
36	6011126	Hammer
37	6011127	Sear Screw*

*Interchangeable with lock parts from the Great Plains Rifle, Deerstalker and Trade Rifle.